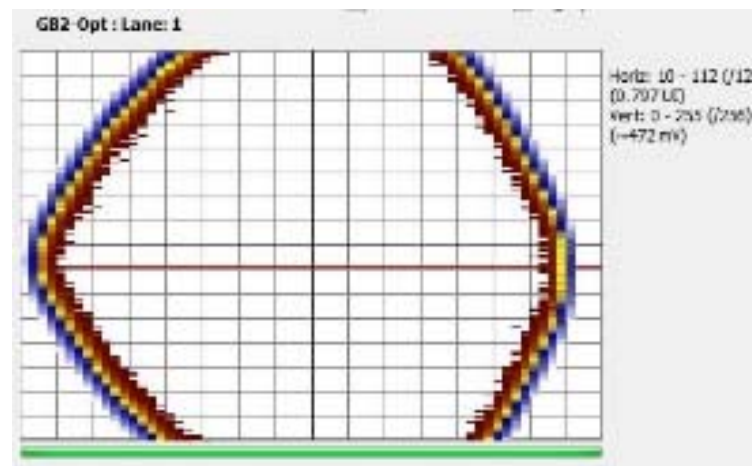
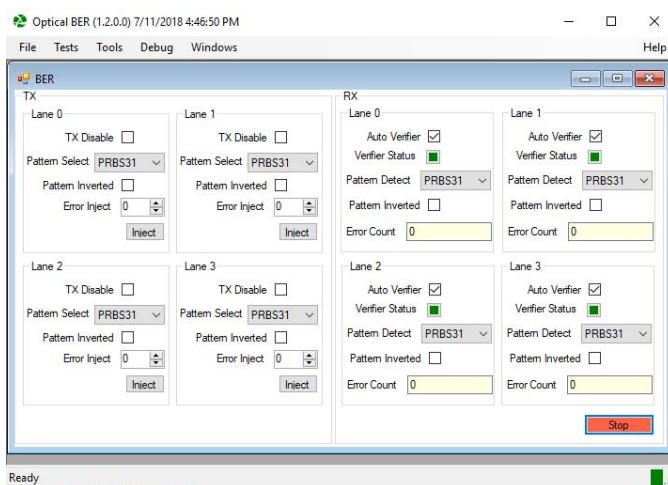
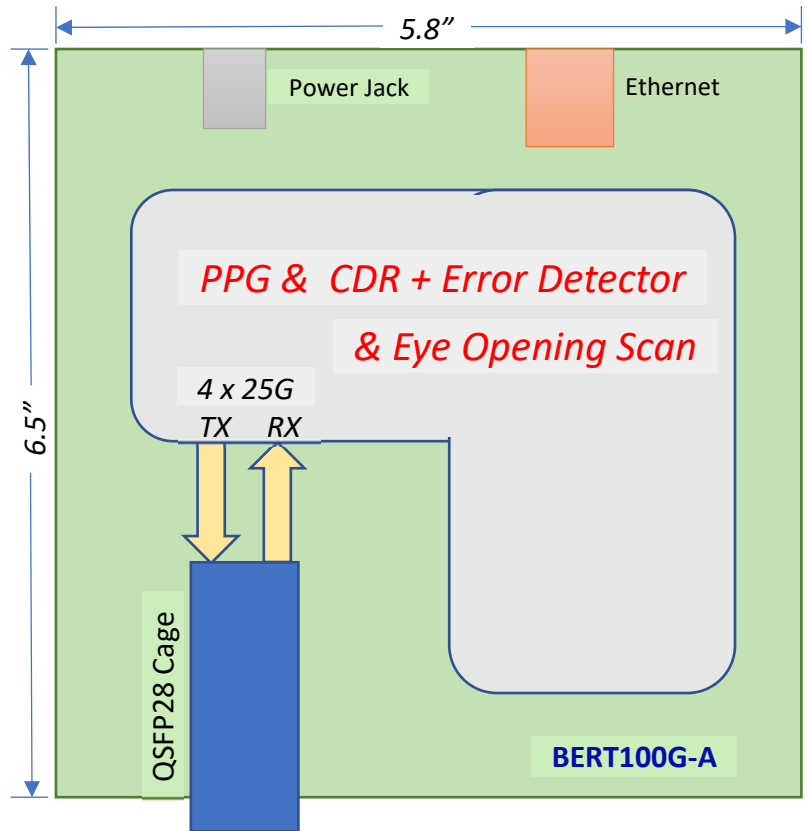


# BERT100G-A Low Cost 4x25G Bit Error Rate Tester

## Features

- 4 Lane Pattern Generator and Error Detector Tester
- QSFP28 interface for device under test
- Selectable data rate between 22-32 Gbps
- Standard PRBS test pattern
- Error Rate measurement
- Quick Eye Opening scan
- Ethernet interface to controlling computer
- Socket interface for customer production test integration



**VE Technology Group**  
 4887 E. La Palma Ave. #705,  
 Anaheim, CA 92807, USA  
 Tel: +1-714-215-4448  
 Email: info@ve-tg.com

**Fast Link Tek**  
 Rm. 325 SIC-1 5-4-21 Nishi-Hashimoto, Midori-ku  
 Sagami-hara-shi, Kanagawa-ken, 252-0131, Japan  
 Tel: +81-42-703-1788  
 Email: suzuki@fltek.jp